

Technical data sheet



Product features

Lava stone grill gas 2 cooking areas 2x 31x48 without cabinet

Model	SAP Code	00006253
--------------	-----------------	----------



- Grid size [mm x mm]: 312 x 483
- Container for liquid fat: Yes
- Independent heating zones: Separate control for each heating zone
- Removable rim: No
- Removable grid: Yes
- Ignition: Piezo

SAP Code	00006253	Net Weight [kg]	49.00
Net Width [mm]	658	Power gas [kW]	13.000
Net Depth [mm]	609	Type of gas	Natural gas, propane butane
Net Height [mm]	290	Grid size [mm x mm]	312 x 483

Technical data sheet



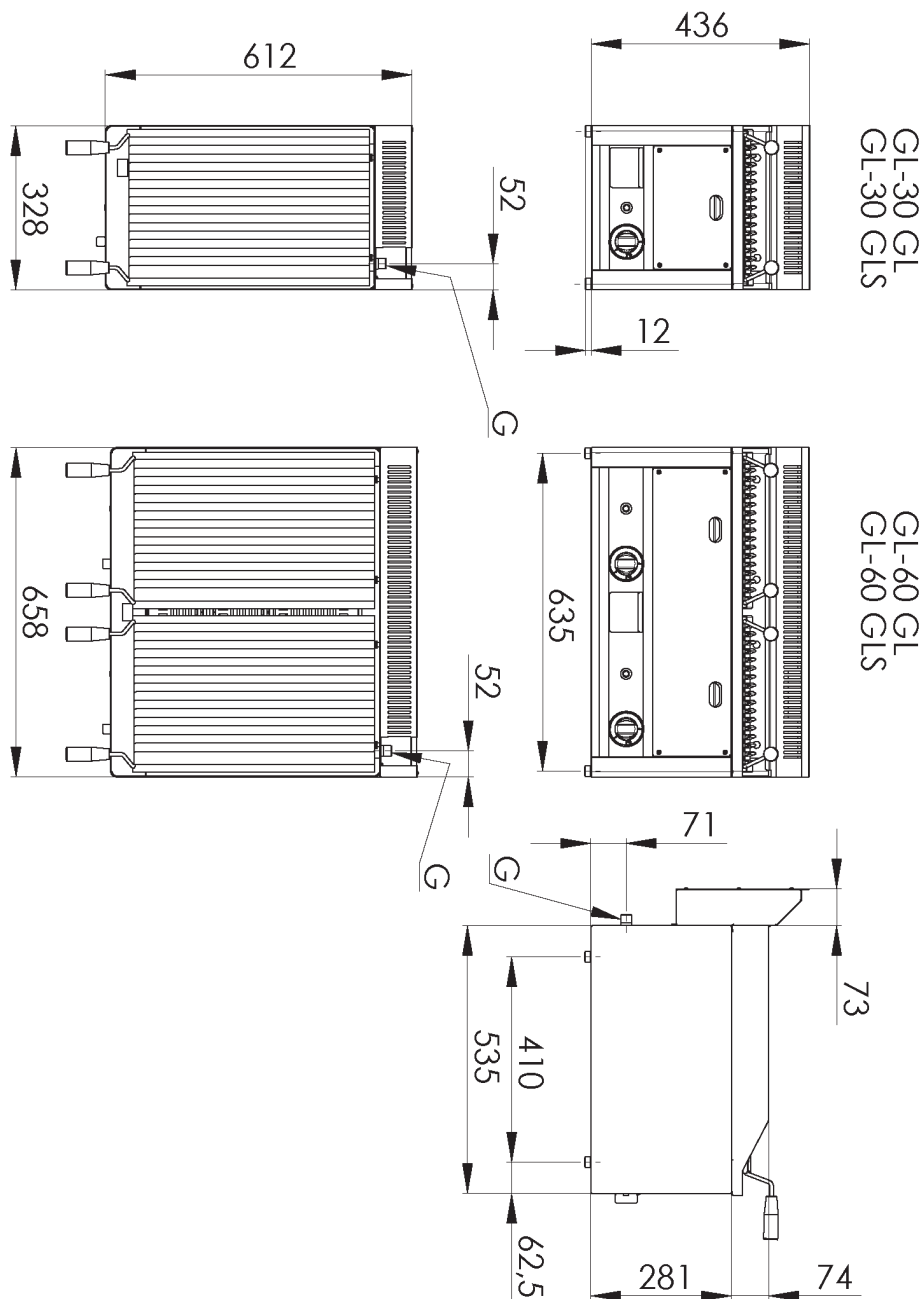
Technical drawing

Lava stone grill gas 2 cooking areas 2x 31x48 without cabinet

Model

SAP Code

00006253



Technical data sheet



Product benefits

Lava stone grill gas 2 cooking areas 2x 31x48 without cabinet

Model

SAP Code

00006253

1

All-stainless design

long life
resistance of AISI 304 stainless steel material
the material does not cut

- savings on service interventions
- easy cleaning and maintenance of equipment

2

Degree of protection of the control elements IPX4

maintenance-free system
resistance to splash water
long life

- savings on service interventions
- easy cleaning and maintenance of equipment

3

Outlet for waste liquids

ensures that oil drips into the socket

- easy maintenance
- easy cleaning

4

High non-removable hem

better hygienic conditions
preventing grease from splashing onto ancillary equipment

- easy maintenance
- easy cleaning

5

Safety element - thermocouple

safe service for staff
there is no unnecessary gas leakage
long life

- savings on service interventions
- easier and faster operation

Technical data sheet



Technical parameters

Lava stone grill gas 2 cooking areas 2x 31x48 without cabinet

Model

SAP Code

00006253

1. SAP Code:

00006253

2. Net Width [mm]:

658

3. Net Depth [mm]:

609

4. Net Height [mm]:

290

5. Net Weight [kg]:

49.00

6. Gross Width [mm]:

725

7. Gross depth [mm]:

710

8. Gross Height [mm]:

540

9. Gross Weight [kg]:

51.00

10. Device type:

Gas unit

11. Construction type of device:

Table top

12. Power gas [kW]:

13.000

13. Ignition:

Piezo

14. Type of gas:

Natural gas, propane butane

15. Protection of controls:

IPX4

16. Material:

Stainless steel

17. Grid material:

Stainless steel

18. Container for liquid fat:

Yes

19. Independent heating zones:

Separate control for each heating zone

20. Removable rim:

No

21. Removable grid:

Yes

22. Grid size [mm x mm]:

312 x 483

23. Removable burner:

Yes